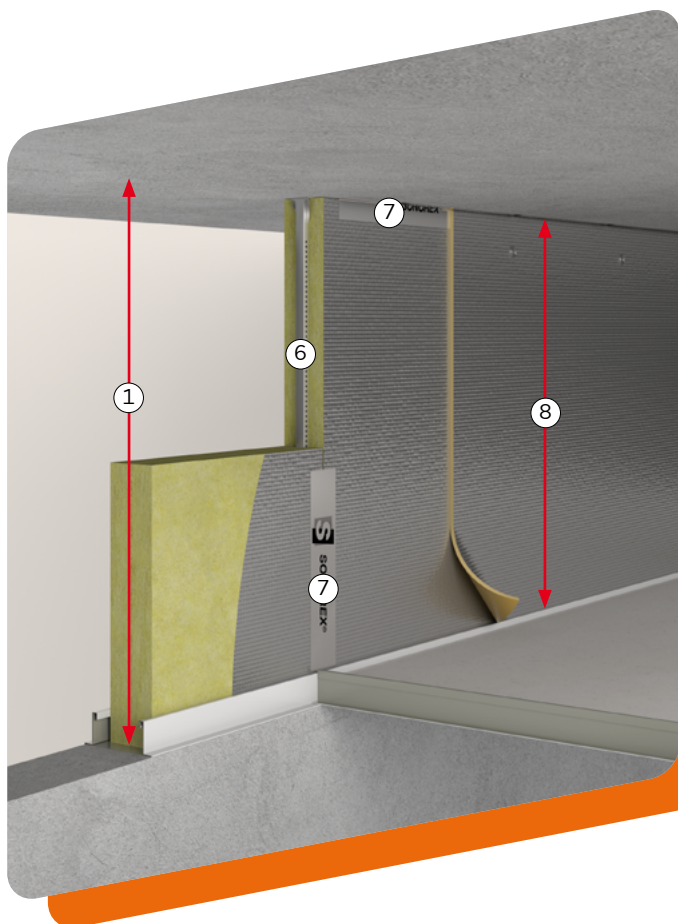




## INSTALLATION SONOREX® NOISE BARRIERS WITH EASY MASS FOIL

SONOREX® 37 Black  
SONOREX® 38  
SONOREX® 39 Black  
SONOREX® 40  
SONOREX® 41  
SONOREX® 43  
SONOREX® 45  
SONOREX® 47



### REQUIRED SONOREX® PRODUCTS

- SONOREX® noise barriers
- SONOREX® loose mineral wool
- SONOREX® tape
- SONOREX® Easy Mass (light) foil
- SONOREX® securing screws



### REQUIRED TOOLS (NOT INCLUDED)

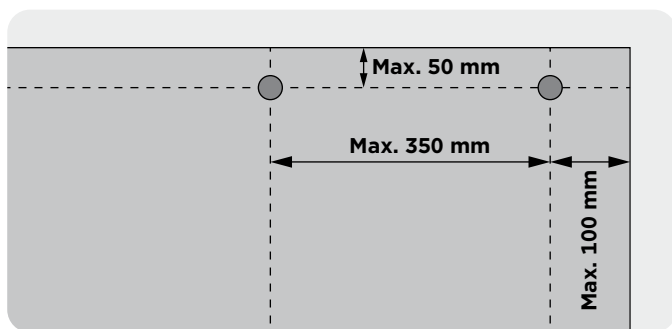
- Measuring tools
- Insulation knife, handsaw, or jigsaw
- Utility knife

### INSTALLATION OF NOISE BARRIERS

- ① Measure the distance between the bottom of the ceiling grid and the overhead structure.
- ② If necessary, cut the SONOREX® noise barriers to the required dimensions using an insulation knife or handsaw.
- ③ Insert the bottom of the noise barrier into the ceiling grid and tilt the barrier into position.
- ④ Press the noise barrier firmly and gap-free against the overhead structure. Fill any gaps with SONOREX® loose mineral wool.
- ⑤ Install the next barrier in the same way, ensuring a tight fit between adjacent barriers. Fill any gaps with SONOREX® loose mineral wool.
- ⑥ Ensure that suspension elements, such as quick-release or adjustable hangers, are fully enclosed between the two SONOREX® noise barriers.
- ⑦ Finish the connection on one side by sealing the junctions with the building structure and the seams between barriers using SONOREX® tape.

## INSTALLATION OF EASY MASS FOIL

- ⑧ Measure the height between the top of the ceiling grid and the bottom side of the overhead structure. Cut the SONOREX® Easy Mass (light) foil to the precise dimensions using a utility knife.
- 9 Remove the release liner and start applying the foil from the top of the ceiling grid. Apply the foil evenly onto the noise barrier, moving upwards toward the top edge of the barrier. Avoid trapping air between the Easy Mass (light) foil and the noise barrier.
- 10 The SONOREX® Easy Mass (light) foil is self-adhesive. However, to ensure long-term quality of the noise barriers, we recommend securing the SONOREX® Easy Mass (light) foil additionally with SONOREX® securing screws. This will not negatively impact the sound insulation. Fasten the SONOREX® securing screws into the noise barrier following the pattern shown in the image below.



If the SONOREX® noise barriers are delivered to the construction site with the Easy Mass foil pre-applied (off-site), the connection on one side to the building structure, as well as the joints between the Easy Mass foil, must still be finished using SONOREX® tape.

## PENETRATIONS

Penetrations – such as ducts, pipes, or cable trays – in SONOREX® noise barriers can cause unwanted sound leaks. The sound insulation values specified in the product datasheet may be negatively affected in such cases. Therefore, avoid penetrations as much as possible. If this is not feasible, handle the penetrations as follows:

- Using an insulation knife, handsaw, or jigsaw, cut an opening in the SONOREX® noise barrier sized to the penetration. Minimize any gaps around the ducts, pipes, or cable trays as much as possible.  
**Note: for cable trays, seal the penetration only after the cabling has been installed.**
- Fill any gaps up to 1 cm wide with SONOREX® loose mineral wool. If gaps are larger, remake the noise barrier!
- Finally, securely finish the connection with SONOREX® tape.

**The Saint-Gobain Solutions advisory conditions apply to these installation instructions. Changes are reserved. Therefore, always consult the latest version at [saint-gobain-solutions.nl](https://saint-gobain-solutions.nl). In addition, project-specific agreements that differ from these installation instructions have priority.**

## CONTACT

Do you have any questions about applications, dimensions, customizations (cut-outs), penetrations, or connections? Please contact our specialists at Customer Service.  
☎ +31 (0)13 578 48 87  
✉ [sales.is@saint-gobain-solutions.nl](mailto:sales.is@saint-gobain-solutions.nl)

[saint-gobain-solutions.nl/sonorex](https://saint-gobain-solutions.nl/sonorex)



**SAINT-GOBAIN**

Saint-Gobain Solutions

Office Tilburg

Minosstraat 40, 5048 CK Tilburg, The Netherlands

Tel: +31 (0)13 578 48 87

Email: [sales.is@saint-gobain-solutions.nl](mailto:sales.is@saint-gobain-solutions.nl)

[saint-gobain-solutions.nl](https://saint-gobain-solutions.nl)