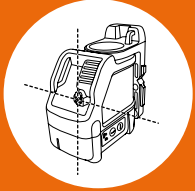


PHOENIX FACADE VERTICAL

VARIANT: CONSOLES WITH CLIPS

REQUIRED TOOLS (NOT INCLUDED)

Line laser



Hammer



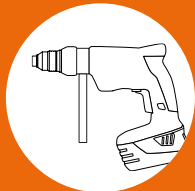
Torque wrench



Insulation knife



Hammer drill

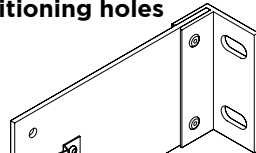


Screwdriver

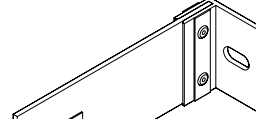


MATERIALS INCLUDED IN DELIVERY

Consoles: type WDK Phoenix V with clip and positioning holes

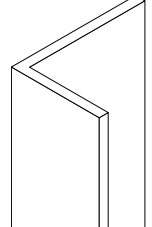


Load-bearing console

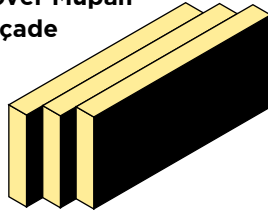


Wind console

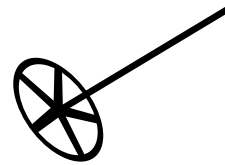
Aluminum profiles



Thermal insulation:
Isover Mupan
Façade



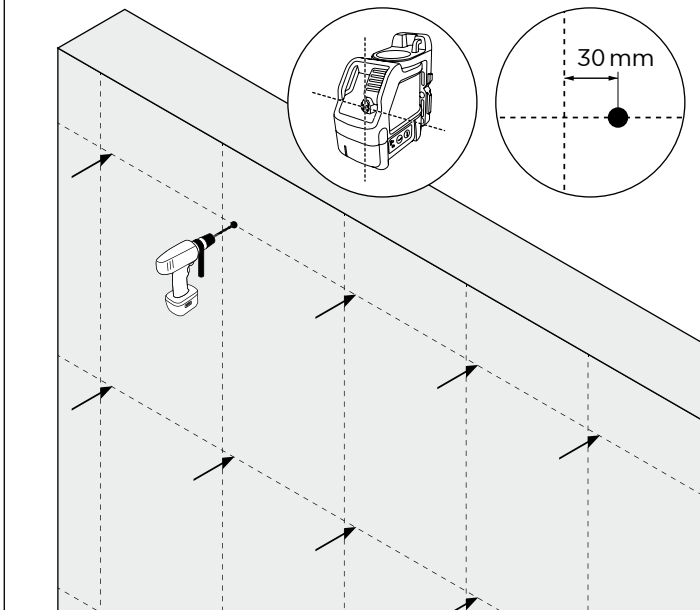
Insulation plugs:
Etanco Inco II



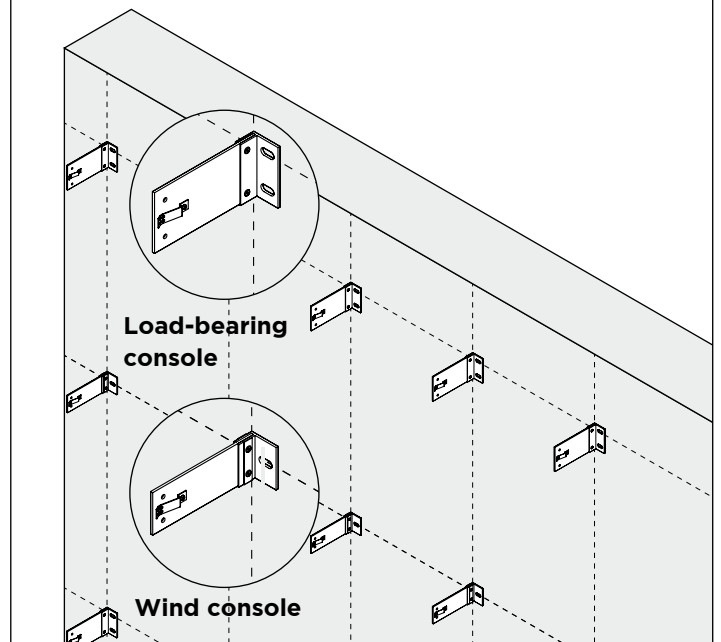
Self-drilling
screws 5.5 x
25 mm (stainless
steel)



1. Use a laser to mark a grid on the inner leaf and drill holes 30 mm to the right of the intersections of the consoles. Always adhere to the project advice from Saint-Gobain Solutions for the center-to-center distances and overhangs of the profiles.



2. Position the consoles. Follow the project advice from Saint-Gobain Solutions according to structural calculations. Per profile one load-bearing console is installed.



CONTACT

Igor Geraedts | +31 (0)6 82 14 58 96 | igor.geraedts@saint-gobain.com

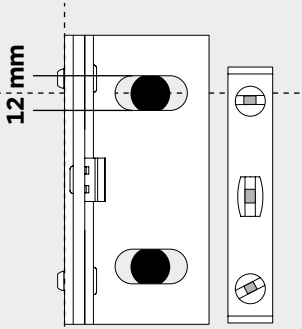
Jochem Straathof | +31 (0)6 26 25 00 72 | jochem.straathof@saint-gobain.com

saint-gobain-solutions.nl

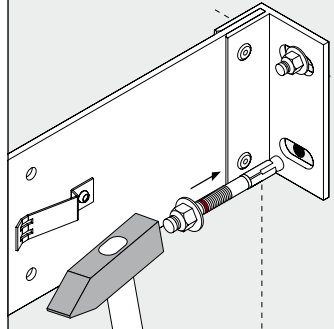
SAINT-GOBAIN SOLUTIONS

SAINT-GOBAIN

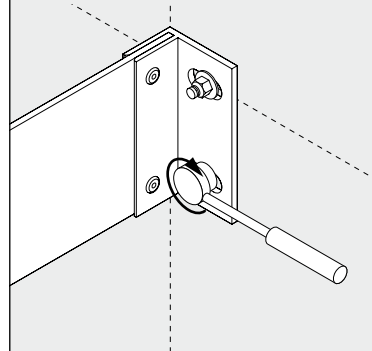
3. Align the console with the vertical line of the grid. Drill a second hole directly below the top hole for the load-bearing consoles.



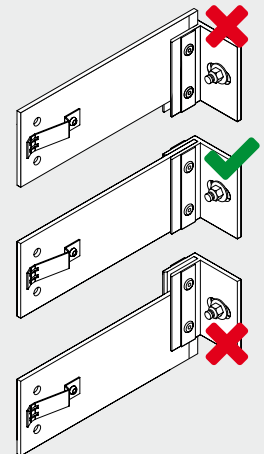
4. Position the console over the holes and apply the anchors. Note: determine the type of anchor and installation method in consultation with your supplier.



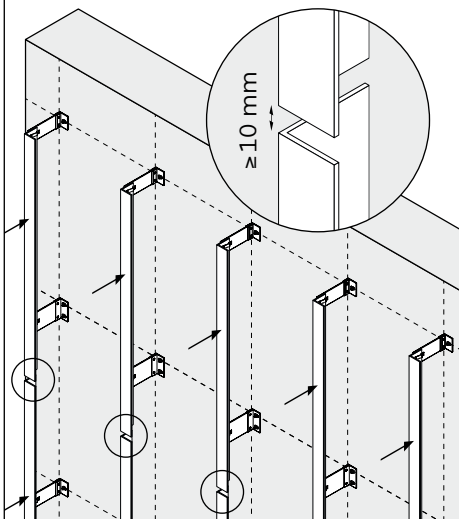
5. Tighten the screw nut of the anchors with a torque wrench. Note: torque [Nm] depends on the type of anchor and substrate.



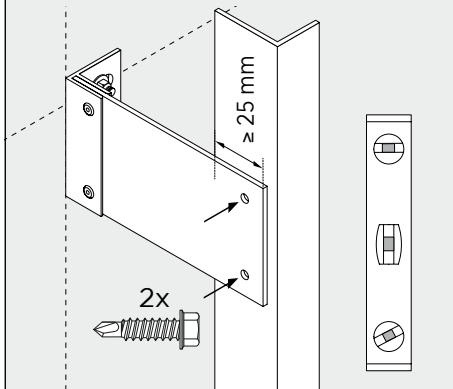
Note: position the wind consoles in the neutral position.



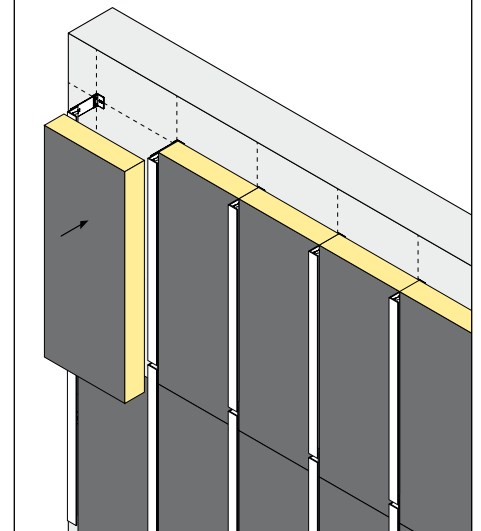
6*. Slide the profiles into the clips.



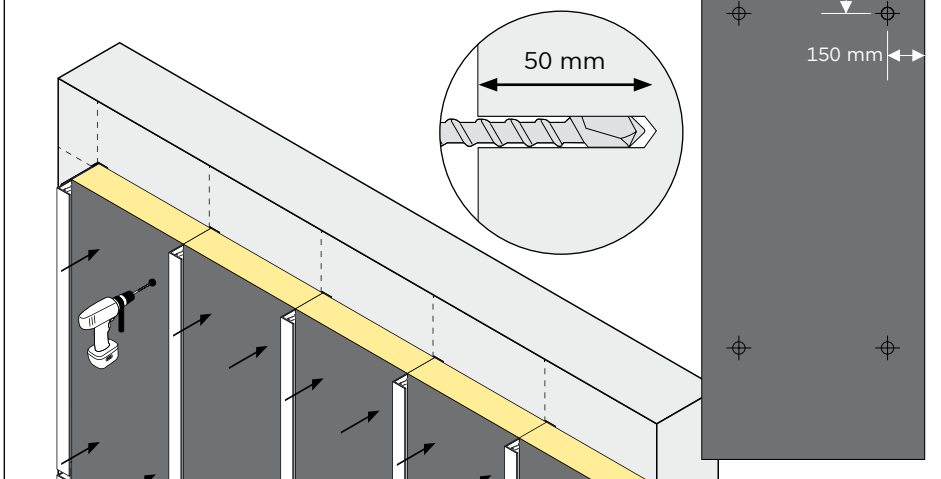
7. Place the profiles in the correct position and secure them with the self-drilling screws through the positioning holes. Note: ensure an overlap of ≥ 25 mm.



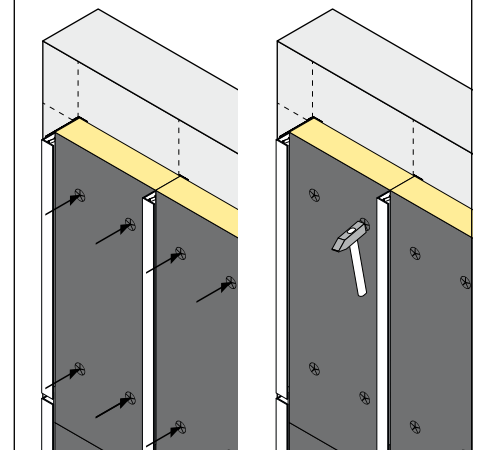
8. Install the thermal insulation.



9. Determine the positions of the insulation plugs and apply them. Drill through the insulation and 50 mm into the structural inner leaf.



10. Place the insulation plugs and secure them with a hammer. Ensure that the disc does not press into the insulation!



On this installation manual, the Saint-Gobain Solutions advisory terms and conditions apply. Changes are reserved. Therefore, always consult the latest version on saint-gobain-solutions.nl. Additionally, project-specific agreements, which differ from the processing sheet, take precedence.

* Optionally, the thermal insulation can be installed first (steps 8 to 10).