

# PHOENIX FACADE

## HORIZONTAL

### REQUIRED TOOLS (NOT INCLUDED)

Line laser



Hammer



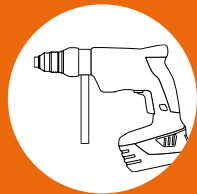
Torque wrench



Insulation knife



Hammer drill

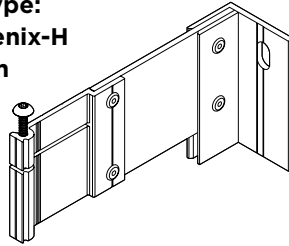


Screwdriver

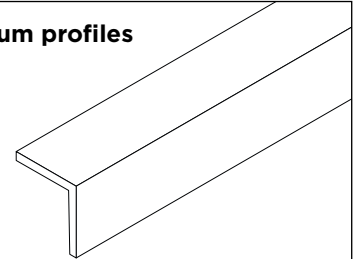


### MATERIALS INCLUDED IN DELIVERY

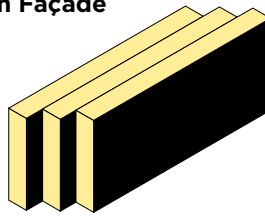
Console type:  
WDK Phoenix-H  
Opti-therm



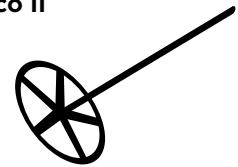
Aluminum profiles



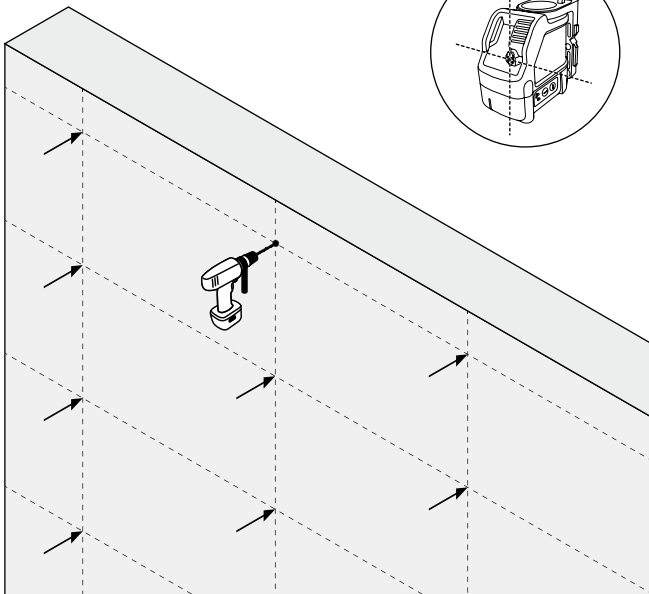
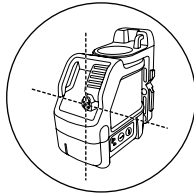
Thermal insulation:  
Isover Mupan Façade



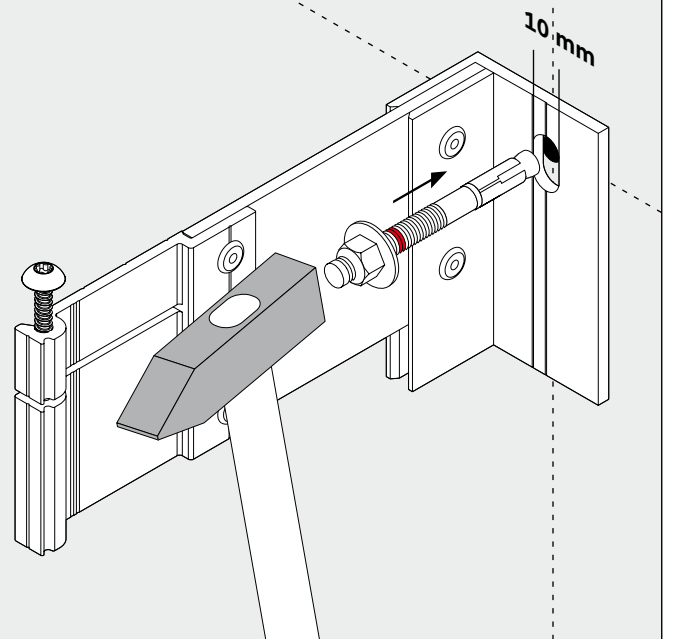
Insulation plugs:  
Etanco Inco II



1. Determine the positions of the consoles with a laser and drill holes at the locations of the anchors. Always adhere to the project advice from Saint-Gobain Solutions for the center-to-center distances and overhangs of the profiles.



2. Position the consoles. Follow the project advice from Saint-Gobain Solutions according to structural calculations. One load-bearing console must be installed per profile.



### CONTACT

Igor Geraedts | +31 (0)6 82 14 58 96 | igor.geraedts@saint-gobain.com

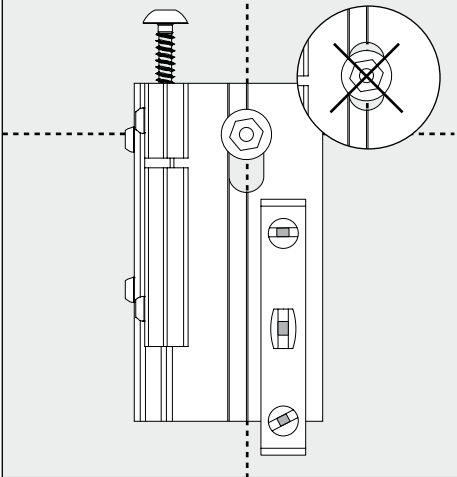
Jochem Straathof | +31 (0)6 26 25 00 72 | jochem.straathof@saint-gobain.com

[saint-gobain-solutions.nl](http://saint-gobain-solutions.nl)

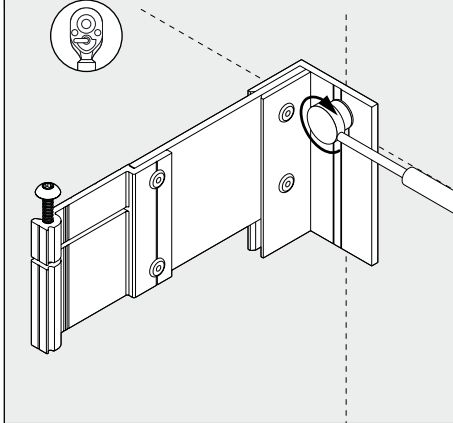
**SAINT-GOBAIN SOLUTIONS**

**SAINT-GOBAIN**

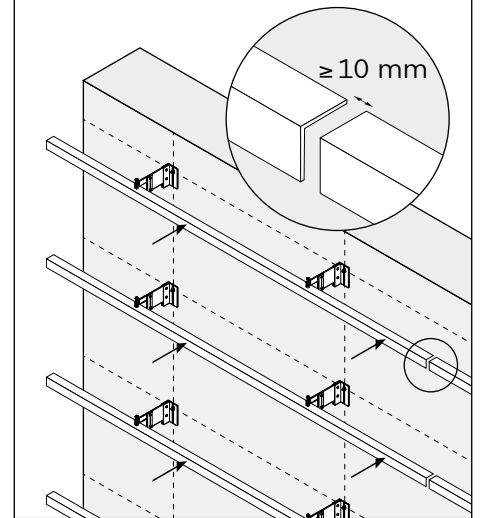
**3. Level the console. Ensure that the anchor is positioned at the top of the slotted hole.**



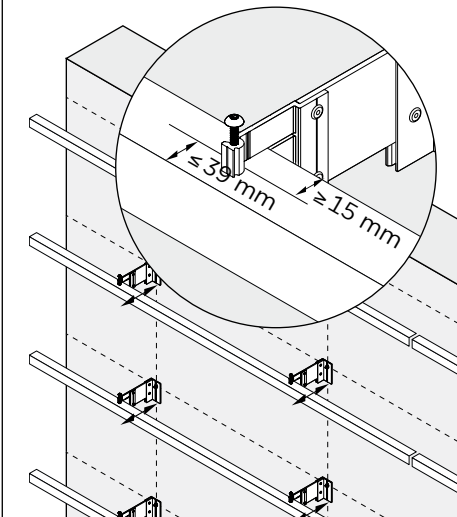
**4. Tighten the screw nut of the anchors with a torque wrench. Note: torque [Nm] depends on the type of anchor and substrate.**



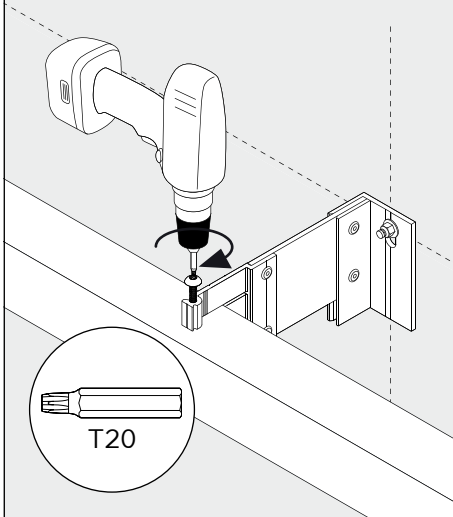
**5. Slide the horizontal profiles into the consoles.**



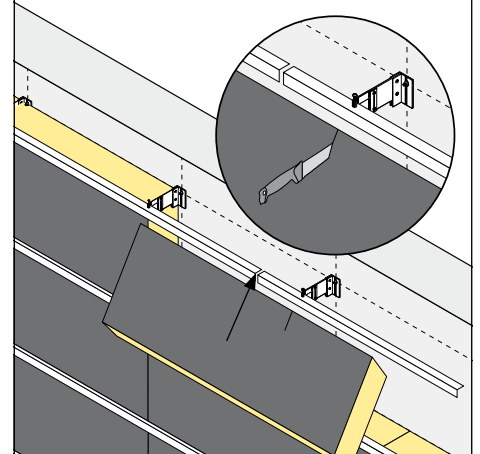
**6. Position the profiles to the correct depth and align them.**



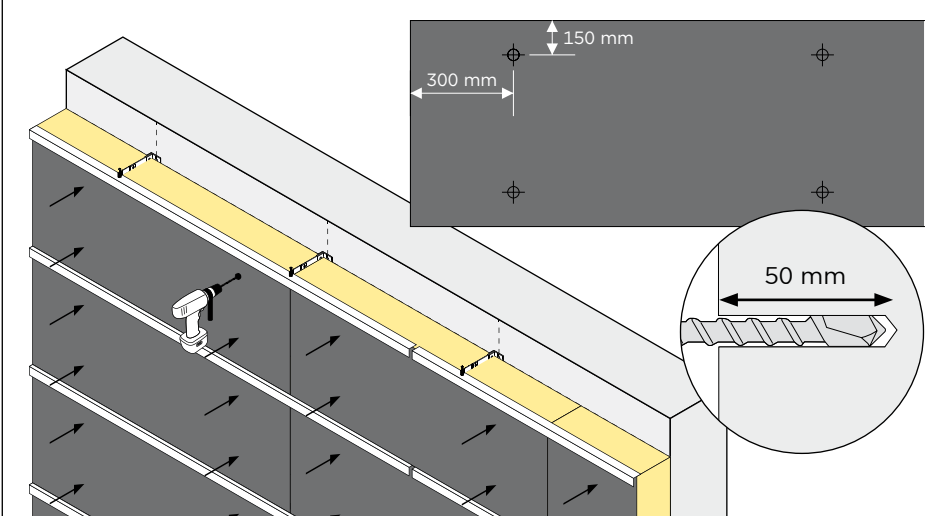
**7. Fasten the profiles with the pre-mounted, self-drilling screw.**



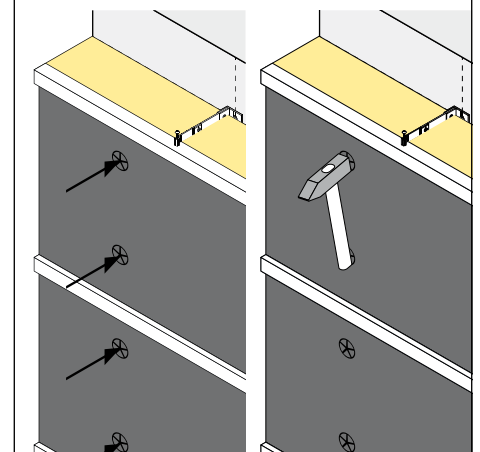
**8. Cut the thermal insulation where necessary. Place the insulation boards at an angle from below behind the profiles.**



**9. Determine the positions of the insulation plugs and apply them. Drill through the insulation and 50 mm into the structural inner leaf.**



**10. Place the insulation plugs and secure them with a hammer. Ensure that the disc does not press into the insulation!**



**On this installation manual, the Saint-Gobain Solutions advisory terms and conditions apply. Changes are reserved. Therefore, always consult the latest version on [saint-gobain-solutions.nl](http://saint-gobain-solutions.nl). Additionally, project-specific agreements, which differ from the processing sheet, take precedence.**